

# VERANDAS

Every Garden Deserves One



Graham Orrin  
INSTALLATIONS  
WINDOWS + CONSERVATORIES + DOORS + ROOFLINE

For further information, call 01252 549066 or email [info@goinstallations.co.uk](mailto:info@goinstallations.co.uk)



## CREATE A **NEW ZONE** IN YOUR HOME

A veranda allows you to add a new dimension to your life style. By blurring the line between inside and outside, you will create an entirely new 'zone' for your home.

Be it an exciting entertaining space for parties or a chill-out retreat for just you and your family, a veranda creates a whole new dynamic for you to enjoy.

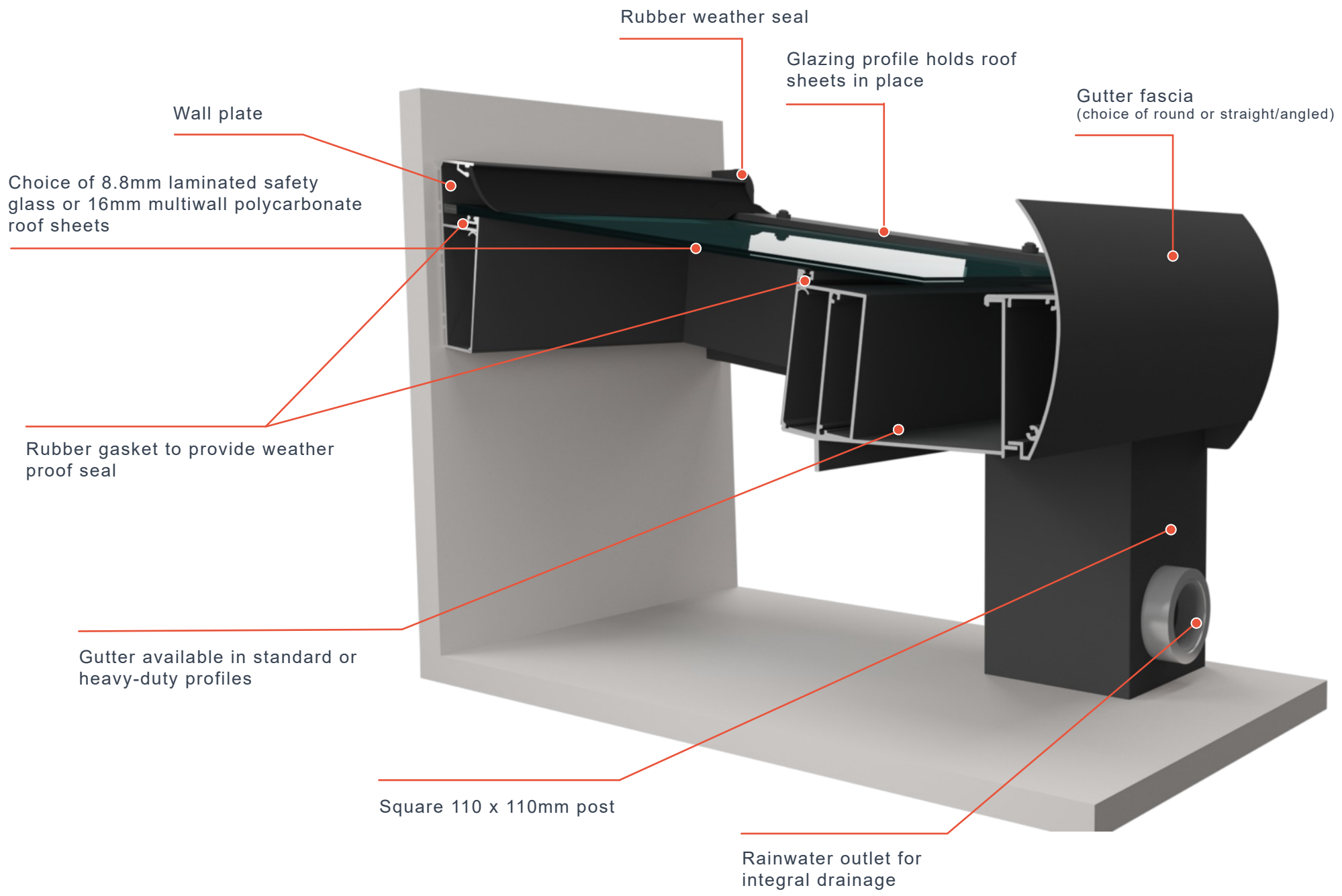
Proudly made in the UK to your bespoke requirements and installed by our team of experts, your veranda will allow you to forget the weather forecast and enjoy the outdoors for more weeks of the year.











## MADE IN THE UK

Our verandas are made in the UK and are accredited to BS EN1090 using the best 6063-T6 grade aluminium.

The stunning clean lines and sleek looks are thanks in large part to the ingenious concealed gutter and rainwater down-pipe. Visible fixings are kept to a minimum and any that can be seen are colour matched to the colour of the veranda frame.

The veranda is available in two colours as standard – RA7016 Anthracite Grey (matt textured) and RAL9016 White (semi-gloss). Other RAL colours are available on request.

There are two roof sheet options – 8.8mm thick laminated safety glass or 16mm multiwall polycarbonate.



# CHOOSE A DESIGN THAT SUITS **YOUR HOME**

---



## **Lean-To**

---

Size Parameters:

Length: No maximum length

Projection: 5m (glass roof)), 6m (polycarbonate roof)



## **Free Standing Mono-Pitch**

---

Size Parameters:

Length: No maximum length

Projection: 5m (glass roof)), 6m (polycarbonate roof)



# CHOOSE A DESIGN THAT SUITS **YOUR HOME**

---



## **Free Standing Apex Roof**

---

Size Parameters:

Length: No maximum length

Width: 10m (glass roof)), 12m (polycarbonate roof)

## **Free Standing Saddle Roof**

---

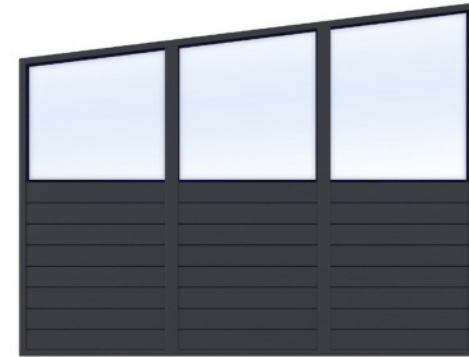
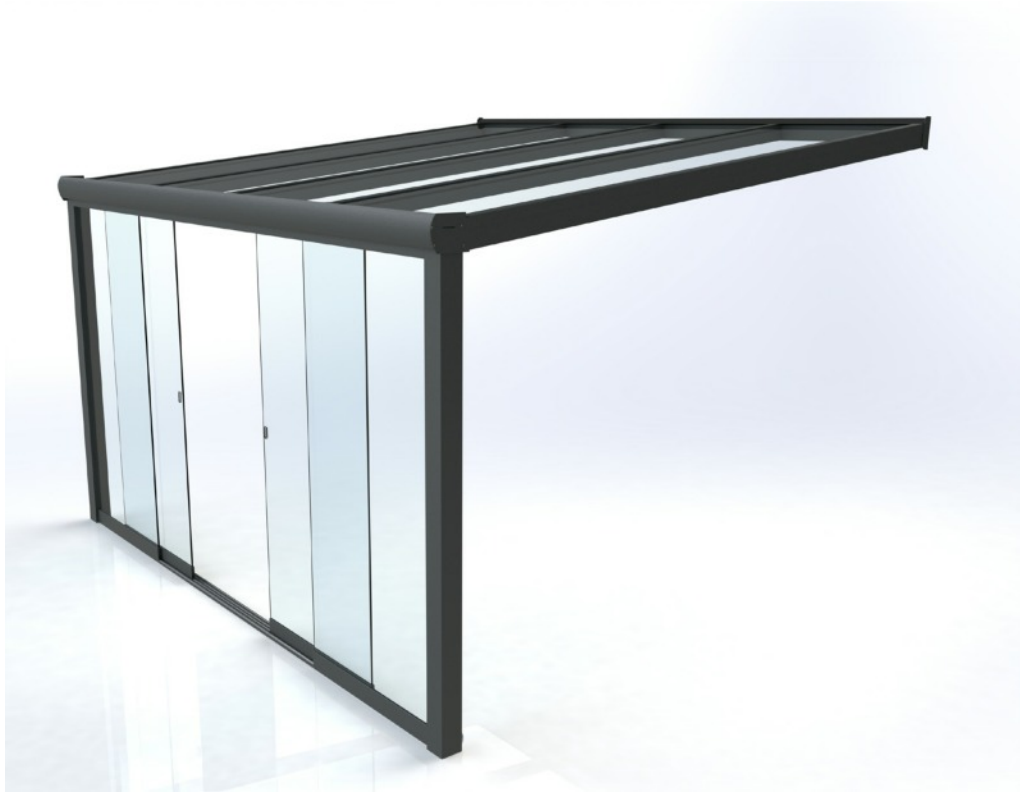
Size Parameters:

Length: No maximum length

Width: 4m (glass roof)), 8m (polycarbonate roof)

# CUSTOMISE YOUR VERANDA WITH THESE EXTRAS

---



## Sliding Glass Doors

These can be added to the front and sides to provide increased shelter from wind and cold. Made from 8mm clear toughened glass available with optional locks and draught excluder profiles.

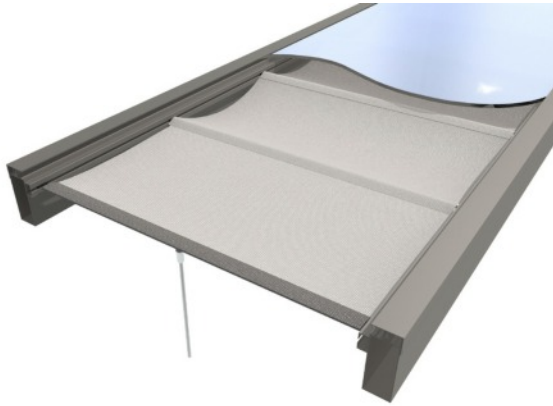
## Fixed Infill Panels

A fixed panel to the sides and/or front with glass, polycarbonate or solid aluminium (or a combination) with give permanent protection from the elements, or enhanced privacy.



# CUSTOMISE YOUR VERANDA WITH THESE EXTRAS

---



## Blinds and Wind Screens

---

Manually operated roof blinds in an external grade screen fabric provide protection from heat and glare during the summer months. Manually operated or motorised zip screen blinds can be installed to the sides to reduce exposure to cool breezes or provide privacy.

## Lighting

---

Dimmable, low voltage LED spotlights can be recessed into the roof beams of your veranda. All cables and controls are concealed within the frame of the veranda. Operated effortlessly by a hand held remote control.



## GOING WITH TRADITION

Swap out the square posts for round posts and add a selection of die cast aluminium mouldings to create a traditional design.







## STAY **PROTECTED**

Enjoy the outdoors whatever the weather. In winter, get outside but stay sheltered from the wind and rain. In summer, our laminated glass roof protects you from 99% of the Sun's UV rays.





Graham Orrin Installations Ltd

Unit 1 Avondale Business Park  
Avondale Road  
Fleet Hampshire  
GU51 3FL

Tel: 01252 549066

Find us on 

Instagram  



Graham Orrin  
INSTALLATIONS  
WINDOWS + CONSERVATORIES + DOORS + ROOFLINE

For further information, call 01252 549066 or email [info@goinstallations.co.uk](mailto:info@goinstallations.co.uk)